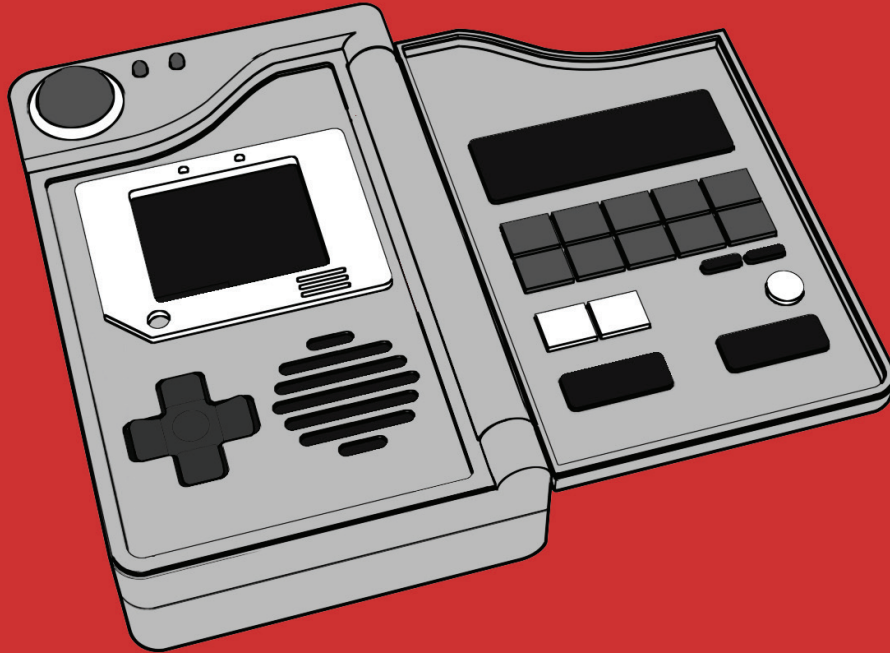


Getting to know your

Pokédex



Model# HANDY505

INSTRUCTION MANUAL

CONGRATULATIONS

Congratulations on taking the first step towards becoming a Pokémon Master by acquiring a Pokédex.

The Pokédex contains vital data on every known Pokémon. It's a hi-tech encyclopedia!



CARING FOR YOUR POKÉDEX

1. Keep your Pokédex protected from dust and moisture at all times.
2. Never allow your Pokédex to fall or endure extreme impacts.
3. Keep your Pokédex out of direct sunlight whenever possible. Exposure to high temperatures can permanently damage your Pokédex.
4. DO NOT allow Pokémon to handle your Pokédex.
5. Never lose track of your Pokédex. If lost or stolen, it cannot be replaced.

SPECIFICATIONS

Manufacturer	Silph Company
Model #	HANDY505
Software Version	6.0
Pokémon Database	OAK_DATA_V3.14
Artificial Intelligence	Dexter
WiFi	802.11 b/g/n
Battery	Rechargeable Lithium-ion
Dimensions	85mm x 125mm x 40mm
Weight	245 grams (with battery)

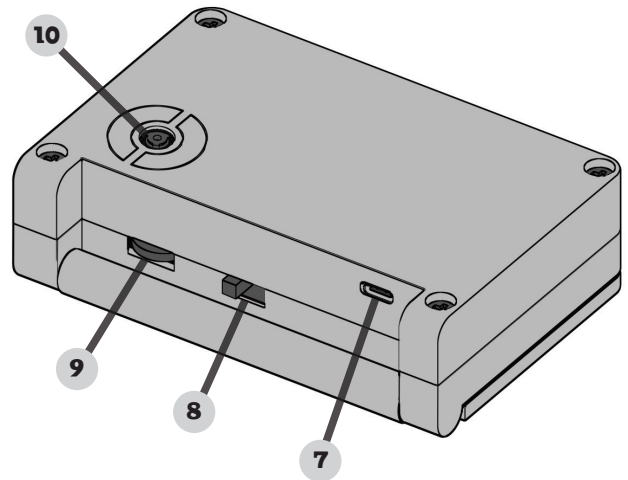
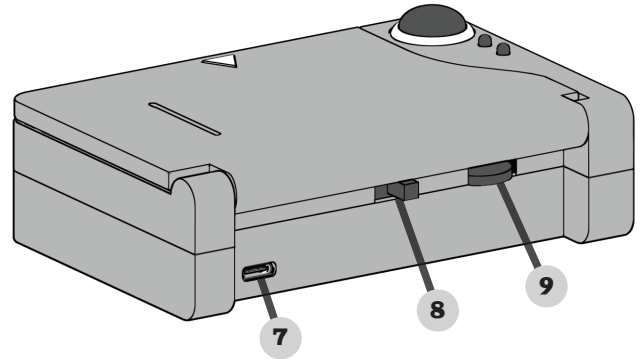
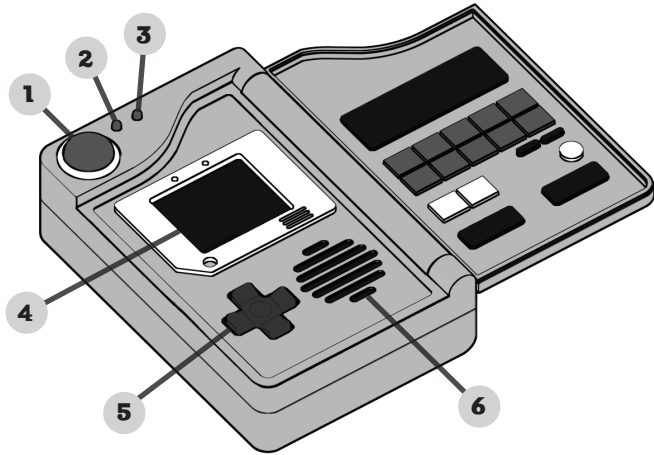
LEGAL DISCLAIMER

WARNING! Pokémon training can be highly dangerous and even fatal. You are responsible for your own safety at all times. By using the Pokédex, you are agreeing to the following:

You acknowledge and agree that although the advice and information provided to you by the Pokédex is as scientifically accurate as possible, that Pokémon are wild and dangerous creatures that can be unpredictable.

Silph Co. and its associates assume no responsibility for any harm, damage, or loss caused by direct or indirect use of the Pokédex or any other Silph Co. products.

DESCRIPTION OF PARTS



- 1: Blue Indicator LED**
- 2: Red “Charging” LED**
- 3: Green “Fully Charged” LED**
- 4: LCD Screen**
- 5: Directional Pad (D-Pad)**
- 6: Speaker**
- 7: USB Charging Jack**
- 8: ON / OFF Switch**
- 9: Volume Control Dial**
- 10. Camera**

CHARGING THE BATTERY

The Pokédex contains a built-in rechargeable Lithium-ion battery that will provide many hours of use before requiring a recharge.

When the Pokédex won't turn on or acts strangely in any way, it may be time for a recharge.

Simply plug the USB charging cable into the charging jack on the side of the Pokédex and one of the two smaller LEDs on the front will light up:

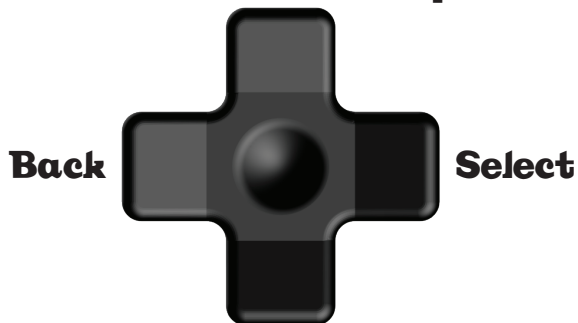
RED LED = Charging

GREEN LED = Fully Charged

OPERATING INSTRUCTIONS

The Directional Pad is used to navigate menus as well as confirm selections.

Move Selection Up



Move Selection Down

MAIN MENU

Pokémon

Information on any Pokémon.

Type Charts

Advantages and Weaknesses.

Moves

Information on Moves a Pokémon can learn.

Trainer Tips

Vital information for any trainer.

Items

Information about useful Items for trainers.

Town Map

Maps and Regional information.

Songs

Songs to listen to on your adventure.

Tools

Trainer Card, Camera, Radio, and more!

Games

Mini Games and Quizzes.

Device Info

Information about your Pokédex.

Settings

Set Screen Saver, WiFi and more.

POKÉMON MENU

National Dex

Pokémon list by their National Dex number.

Regional Dex

Select a Regional Dex to get a Pokémon list by their number for that specific region.

Alphabetically

Pokémon listed in alphabetical order.

By Type

Pokémon lists by type.

By Generation

Pokémon lists by generation.

Go To PKMN

Quickly jump to a specific Pokémon by its National Dex number.

Caught List

List of Pokémon you've caught.

Scan For Pokémon

The Pokémon Image Scanner can identify a Pokémon using the built-in Camera.

Make sure to set up WiFi first.

See last page of manual for more info.



Info : A brief audio description of the Pokémon.

Cry : An audio recording of the Pokémon's cry.

Stats : Height, Weight, HP, Attack, Defense, Special Attack, Special Defense, and Speed

Moves : A list of moves the Pokémon can learn.

Abilities : A list of Abilities the Pokémon may have.

Evolution : A chart showing all of the evolution stages of the Pokémon.

Form : See other forms of the Pokémon such as regional variants.

More : Additional Training and Breeding Info.



: Switch between: Front View, Back View, and Shiny Form of the Pokémon.



: The Poké Ball icon indicates the Pokémon has been caught.

TYPE CHARTS

The Type Charts show which types of Pokémon moves are strong or weak against each type of Pokémon.

After selecting a type, you can press UP or DOWN to see a different chart.

FIGHTING	
Attack	Damage Dealt
x2	NORMAL ICE ROCK DARK STEEL
x½	POISON FLYING PSYCHIC BUG FAIRY
x0	GHOST
Defend	Damage Taken
x½	BUG ROCK DARK
x2	FLYING PSYCHIC FAIRY

EXAMPLES

Attack **Damage Dealt**

FIGHTING type move

attacking **ROCK** type Pokémon

x2 It's super effective!

Defend **Damage Taken**

FIGHTING type Pokémon

hit with a **BUG** type move

x½ It's not very effective...

MOVES

By Name

Pokémon Move list in alphabetical order.

By Type

Pokémon Move lists by type.

TMs / HMs

Technical Machines / Hidden Machines

TRAINER TIPS

Here you will find tips and vital information that all Pokémon trainers should be familiar with.

ITEMS

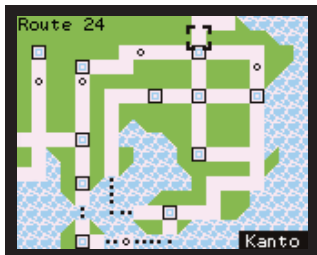
There are many useful items that Pokémon trainers should know how and when to use.

Many of these items are manufactured by Silph Co. and are available for purchase at any of Poké Mart's convenient locations.



TOWN MAP

The Pokédex has built in Town Maps for various regions Pokémon trainers may visit. Important locations are listed such as: Pokémon Centers, Poké Marts, and GYM's as well as a list of Pokémon seen in each area.



Press RIGHT to see info on selected location

SONGS

Music has been scientifically proven to boost the mood and focus of not only humans but of Pokémon as well. The Pokédex has many different songs to be played during training, traveling, or resting.

TOOLS

Additional features to assist you on your journey:

- Trainer Card
- Camera
- Photo Album
- Radio
- and more!



GAMES

The Pokédex includes a selection of Mini Games and Quizzes for your enjoyment.

DEVICE INFO

See Pokédex system information.

SETTINGS

Start Up Sound

Sound that plays when the Pokédex powers on.

To disable the Start Up Sound, select "None".

Fast Start Up

Turning this on will skip the POST (Power On Self Test) and go directly to the Main Menu.

Background Color

The color of the background for menus.

Set-Up WiFi

Using a computer, smartphone, or tablet: connect to the WiFi Network shown on the Pokédex screen. Then open a Web Browser and go to <http://192.168.4.1>

You may need to disable "Mobile Data" if on smartphone.

Screen Saver

The Screen Saver only starts after the specified Wait Time from the Main Menu.

To disable the Screen Saver, select "None".

POKÉMON IMAGE SCANNER

Using AI Image Recognition Technology, the Pokédex is able to analyze and identify Pokémon using the built-in Camera.

NOTE: An Internet connection over WiFi is required to use the Pokémon Image Scanner.

You must first connect to a WiFi network:

Settings > Set-Up WiFi

Then you can begin an image scan:

Pokémon > Scan For Pokémon

The Pokémon Image Scanner works on Pokémon illustrations, Pokémon plushies, Pokémon toys, and of course on real Pokémon too.

Simply point the Pokédex's camera at the target and capture a photo to be analyzed. Make sure to get a clear shot, showing the front of the Pokémon for the best results.

NOTE: AI Image Recognition Technology isn't perfect and may struggle to identify more recently discovered Pokémon. It may also mix-up Pokémon that look very similar such as Pidgeotto and Pidgeot.

Image analysis occurs on remote Silph Co. servers. As AI Image Recognition Technology improves, updates will be made on these remote servers which will improve the Pokédex's identification accuracy.

TROUBLESHOOTING

PROBLEM

Nothing happens when switched on.

POSSIBLE CAUSE

Battery is dead.
Recharge the battery by plugging a USB cable into the Pokédex until the Green LED comes on.

No sounds can be heard.

Volume is turned down.
Adjust Volume.

Audio System Error.
Visit SilphCoProducts.com/help for more information.

Text is displayed, but some images do not appear.

Storage System Error.
Turn off Pokédex.
Wait 10 seconds.
Turn on Pokédex.

Visit SilphCoProducts.com/help for more information.