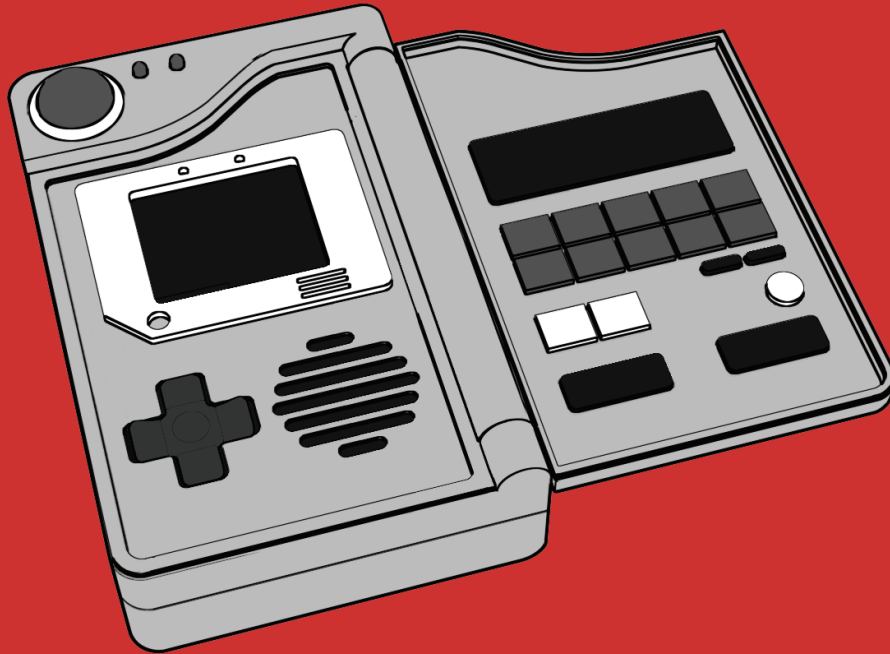


Getting to know your

# Pokédex



Model# HANDY402

**INSTRUCTION MANUAL**

## CONGRATULATIONS

Congratulations on taking the first step towards becoming a Pokémon Master by acquiring a Pokédex.

The Pokédex contains vital data on every known Pokémon. It's a hi-tech encyclopedia!



## CARING FOR YOUR POKÉDEX

1. Keep your Pokédex protected from dust and moisture at all times.
2. Never allow your Pokédex to fall or endure extreme impacts.
3. Keep your Pokédex out of direct sunlight whenever possible. Exposure to high temperatures can permanently damage your Pokédex.
4. DO NOT allow Pokémon to handle your Pokédex.
5. Never lose track of your Pokédex. If lost or stolen, it cannot be replaced.

## SPECIFICATIONS

Manufacturer	Silph Company
Model #	HANDY402
Software Version	4.9
Pokémon Database	OAK_DATA_V3.14
Artificial Intelligence	Dexter
PokéScanFrequency	2.400 - 2.4835 GHz
Battery	Rechargeable Lithium-ion
Dimensions	85mm x 125mm x 40mm
Weight	240 grams (with battery)

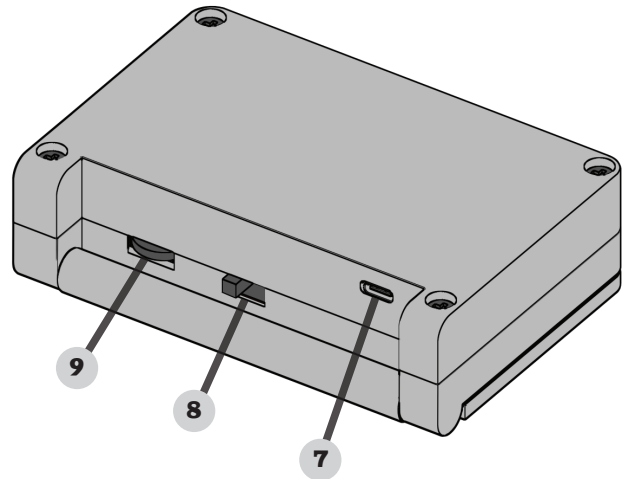
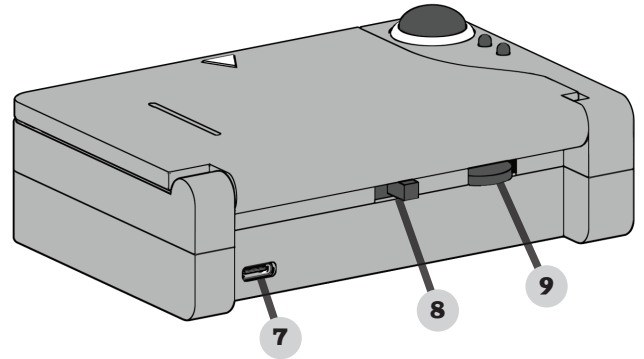
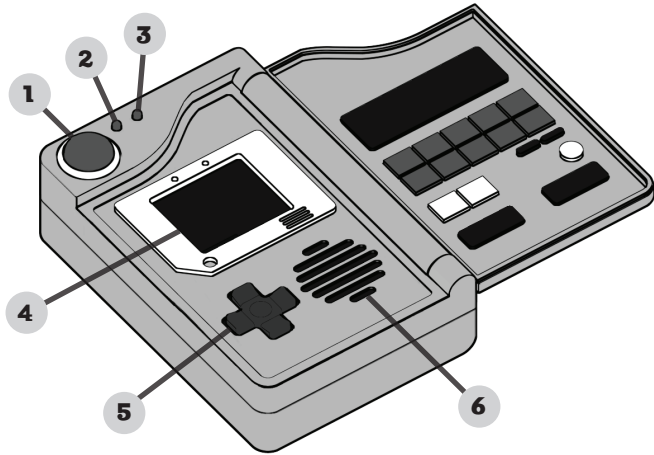
## LEGAL DISCLAIMER

**WARNING!** Pokémon training can be highly dangerous and even fatal. You are responsible for your own safety at all times. By using the Pokédex, you are agreeing to the following:

You acknowledge and agree that although the advice and information provided to you by the Pokédex is as scientifically accurate as possible, that Pokémon are wild and dangerous creatures that can be unpredictable.

Silph Co. and its associates assume no responsibility for any harm, damage, or loss caused by direct or indirect use of the Pokédex or any other Silph Co. products.

# DESCRIPTION OF PARTS



- 1: Blue Indicator LED**
- 2: Red “Charging” LED**
- 3: Green “Fully Charged” LED**
- 4: LCD Screen**
- 5: Directional Pad (D-Pad)**
- 6: Speaker**
- 7: USB Charging Jack**
- 8: ON / OFF Switch**
- 9: Volume Control Dial**

## CHARGING THE BATTERY

The Pokédex contains a built-in rechargeable Lithium-ion battery that will provide many hours of use before requiring a recharge.

When the Pokédex won't turn on or acts strangely in any way, it may be time for a recharge.

Simply plug the USB charging cable into the charging jack on the side of the Pokédex and one of the two smaller LEDs on the front will light up:

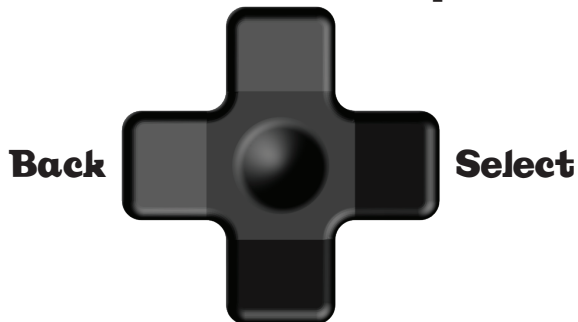
**RED LED = Charging**

**GREEN LED = Fully Charged**

## OPERATING INSTRUCTIONS

The Directional Pad is used to navigate menus as well as confirm selections.

**Move Selection Up**



**Move Selection Down**

## MAIN MENU

### Pokémon

Information on any Pokémon.

### Type Charts

Advantages and Weaknesses.

### Moves

Information on Moves a Pokémon can learn.

### Trainer Tips

Vital information for any trainer.

### Items

Information about useful Items for trainers.

### Town Map

Maps and Regional information.

### Who's That Pokémon?

Pokémon identification training.

### Songs

Songs to listen to on your adventure.

### Games & More

Mini Games and other bonus features.

### Device Info

Information about your Pokédex.

View your Trainer Card.

### Settings

Set Screen Saver, PokéTags and more.

# POKÉMON MENU

## National Dex

Pokémon list by their National Dex number.

## Regional Dex

Select a Regional Dex to get a Pokémon list by their number for that specific region.

## Alphabetically

Pokémon listed in alphabetical order.

## By Type

Pokémon lists by type.

## By Generation

Pokémon lists by generation.

## Go To PKMN #

Quickly jump to a specific Pokémon by its National Dex number.

## Caught List

List of Pokémon you've caught.

## Scan For Pokémon

Scan area for nearby Pokémon.

Make sure to set up your PokéTags first.

See last page of manual for more info.

## BT Connect

Connect to a smartphone, tablet, or computer to quickly search for a Pokémon.

Go to [SilphCoProducts.com/BT](http://SilphCoProducts.com/BT) for more info.



**Info** : A brief audio description of the Pokémon.

**Cry** : An audio recording of the Pokémon's cry.

**Stats** : Height, Weight, HP, Attack, Defense, Special Attack, Special Defense, and Speed

**Moves** : A list of moves the Pokémon will learn by leveling up.

**Abilities** : A list of Abilities the Pokémon may have.

**Evolution** : A chart showing all of the evolution stages of the Pokémon.

**Form** : See other forms of the Pokémon such as regional variants.

**More** : Additional images / info for the Pokémon.



: Switch between: Front View, Back View, and Shiny Form of the Pokémon.



: The Poké Ball icon indicates the Pokémon has been caught.

# TYPE CHARTS

The Type Charts show which types of Pokémon moves are strong or weak against each type of Pokémon.

After selecting a type, you can press UP or DOWN to see a different chart.

FIGHTING	
Attack	Damage Dealt
x2	NORMAL ICE ROCK DARK STEEL
x½	POISON FLYING PSYCHIC BUG FAIRY
x0	GHOST
Defend	Damage Taken
x½	BUG ROCK DARK
x2	FLYING PSYCHIC FAIRY

## EXAMPLES

Attack	Damage Dealt
--------	--------------

**FIGHTING** type move

attacking **ROCK** type Pokémon

**x2** It's super effective!

Defend	Damage Taken
--------	--------------

**FIGHTING** type Pokémon

hit with a **BUG** type move

**x½** It's not very effective...

# MOVES

## By Name

Pokémon Move list in alphabetical order.

## By Type

Pokémon Move lists by type.

# TRAINER TIPS

Here you will find tips and vital information that all Pokémon trainers should be familiar with.

# ITEMS

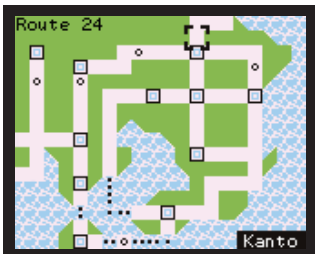
There are many useful items that Pokémon trainers should know how and when to use.

Many of these items are manufactured by Silph Co. and are available for purchase at any of Poké Mart's convenient locations.



## TOWN MAP

The Pokédex has built in Town Maps for various regions Pokémon trainers may visit. Important locations are listed such as: Pokémon Centers, Poké Marts, and GYM's as well as a list of Pokémon seen in each area.



Press RIGHT to see info on selected location



## WHO'S THAT POKÉMON?

A true Pokémon Master should be able to identify any Pokémon by its silhouette alone. Practice your Pokémon identification skills using the Who's That Pokémon feature of the Pokédex.

After you've made your guess, press RIGHT to see the correct answer. Then, press RIGHT again to advance to the next Pokémon.

## SONGS

Music has been scientifically proven to boost the mood and focus of not only humans but of Pokémon as well. The Pokédex has many different songs to be played during training, traveling, or resting.

## GAMES & MORE

The Pokédex includes a selection of Mini Games and bonus features for your enjoyment.

## DEVICE INFO

See Pokédex system information and view your Trainer Card. [ Set Trainer Info from Settings first ]

## SETTINGS

### Start Up Sound

Sound that plays when the Pokédex powers on. To disable the Start Up Sound, select "None".

### Fast Start Up

Turning this on will skip the POST (Power On Self Test) and go directly to the Main Menu.

### Background Color

The color of the background for menus.

### Set-Up PokéTags

Assign Pokémon to PokéTags for scanning. [ See last page of manual for more info ]

### Set Trainer Info

Set info that will appear on your Trainer Card.

### Screen Saver

The Screen Saver only starts after the specified Wait Time from the Main Menu. To disable the Screen Saver, select "None".

# POKÉMON SCANNER

All Pokémon emit low energy radio waves which contain a unique digital signature. This digital signature can be analyzed by the Pokédex to identify what type of Pokémon it came from.

## Scan for Pokémon

Pokémon > Scan For Pokémon - initiates a radio wave scan to detect nearby Pokémon or PokéTags.

## PokéTags

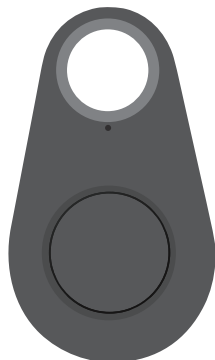
PokéTags are small devices that simulate the radio waves emitted by Pokémon. Once Set-Up, the Pokédex will recognize a PokéTag as if it were a real Pokémon.

Turn on the PokéTag by holding down the button until 2 quick beeps are heard and the blue light flashes.

Select: **Settings > Set-Up PokéTags > New PokéTag** and follow the on-screen prompts. After a Pokémon is assigned, this PokéTag will be detected from the Scan For Pokémon option.

Turn off the PokéTag by holding down the button until 1 long beep is heard and the blue light flashes.

If you experience any issues when using PokéTags, try switching the Pokédex off and then back on again.



**PokéTag Battery Replacement: CR2032**

# TROUBLESHOOTING

## PROBLEM

## POSSIBLE CAUSE

Nothing happens when switched on.

Battery is dead.  
Recharge the battery by plugging a USB cable into the Pokédex until the Green LED comes on.

No sounds can be heard.

Volume is turned down.  
Adjust Volume.

Audio System Error.  
Visit [SilphCoProducts.com/help](http://SilphCoProducts.com/help) for more information.

Text is displayed, but some images do not appear.

Storage System Error.  
Turn off Pokédex.  
Wait 10 seconds.  
Turn on Pokédex.

Visit [SilphCoProducts.com/help](http://SilphCoProducts.com/help) for more information.

Nearby PokéTag is not being detected by the scanner.

PokéTag is turned off.  
Hold down button until it beeps.

PokéTag is not Set-Up  
[ See previous page ]